



ROBIN MACHINERY & EQUIPMENT
SOURCE OF TRUST

ISO9001



CE



Catalogue

LIFTING

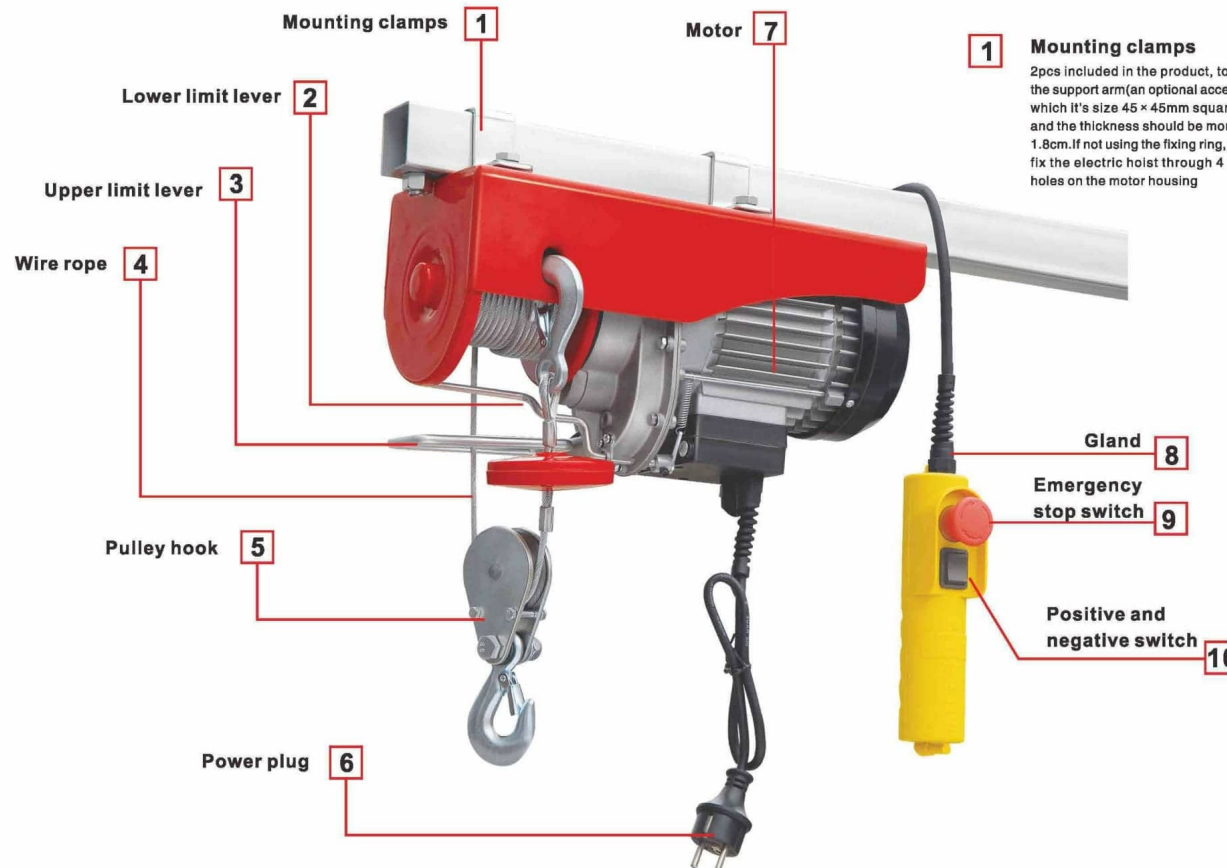
PULLING

Electric Hoist



ROBIN MACHINERY & EQUIPMENT
SOURCE OF TRUST

Mini-Electric Hoist with Eagle brand has compact and exquisite appearance and has the features of easy installation, security and reliability. It is the important tool for hoisting in workshops, household garages and warehouses etc. It is suitable for DIY market and is also the ideal equipment for hotels, shops, repairing, material handling, industrial assembly lines and large industrial equipments etc. It adopts single-phase power and is widely used.



1 Mounting clamps
2pcs included in the product, to fit for the support arm(an optional accessory) which it's size 45 × 45mm square tube and the thickness should be more than 1.8cm. If not using the fixing ring, please fix the electric hoist through 4 screw holes on the motor housing

2 Lower limit lever
When the wire rope is going down to the position we designed, the wire rope will automatically act the limit lever to stop the hoist. The lower limit lever also prevent the wire rope improperly winding in the reverse direction on the drum

7 Motor
With automatic brake system and thermal protection function. The thermal protection terminal will be automatically disconnected to protect the motor when the motor becomes overheated

3 Upper limit lever
When the load is lifting at the position we designed, the counter weight and limit stopper will automatically act the upper limit lever to stop the hoist

8 Gland
To fasten the power cord and prevent bending of the power cord to extend the lifetime

4 Wire rope
19×7 structure and anti-twist aircraft rope, with breaking force up to at least 4 times than the rated lifting capacity. If the wire rope has become worn or is beginning to show signs of strands breakin, it must be replaced before being used again. (please refer to the manual for details)

9 Emergency stop switch
With TUV approval. In case of a failure or accident occurred, to press the red emergency stop switch to immediately stop the machine for safety

5 Pulley hook
Included in the product. When the load exceeds the lifting capacity of the single hook but less than max. lifting capacity, use the pulley hook to lift the load

10 Positive and negative switch
With TUV approval, controlling up and down function of the hoist, it is simple to use and easy to be replaced.

6 Power plug
All of plug styles are available in all over countries and regions, and approved by VDE or UL

Electric Hoist



ROBIN MACHINERY & EQUIPMENT
SOURCE OF TRUST

PA250D



Features

- 18m extended wire rope
- Upper and Lower limit device
- Anti-reverse winding device
- Emergency stop switch
- Thermal protection terminal
- Protection class IP54



Method of use	Single hook	Double hook
Rated Volt(V)	220/230	
Input Power(W)	500	
Rated lifting weight(Kg)	125	250
Lifting speed(m/min)	10	5
Lifting height(m)	18	9
Qty/CTN(PCS)	2	
Packing dimension(cm)	46 × 36 × 16	
G.W./N.W.(kg)	22/21	

PA500D



Features

- Upper and Lower limit device
- Anti-reverse winding device
- Emergency stop switch
- Thermal protection terminal
- Protection class IP54



Method of use	Single hook	Double hook
Rated Volt(V)	220/230	
Input Power(W)	900	
Rated lifting weight(Kg)	250	500
Lifting speed(m/min)	8	4
Lifting height(m)	18	9
Qty/CTN(PCS)	2	
Packing dimension(cm)	52 × 39 × 18	
G.W./N.W.(kg)	34/32	

PA800D



Features

- Upper and Lower limit device
- Anti-reverse winding device
- Emergency stop switch
- Thermal protection terminal
- Protection class IP54



Method of use	Single hook	Double hook
Rated Volt(V)	220/230	
Input Power(W)	1350	
Rated lifting weight(Kg)	400	800
Lifting speed(m/min)	8	4
Lifting height(m)	18	9
Qty/CTN(PCS)	2	
Packing dimension(cm)	52 × 44 × 17	
G.W./N.W.(kg)	38/36	



PA1000D



Features

- Upper and Lower limit device
- Anti-reverse winding device
- Emergency stop switch
- Thermal protection terminal
- Protection class IP54

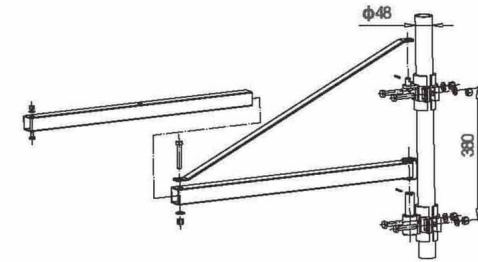
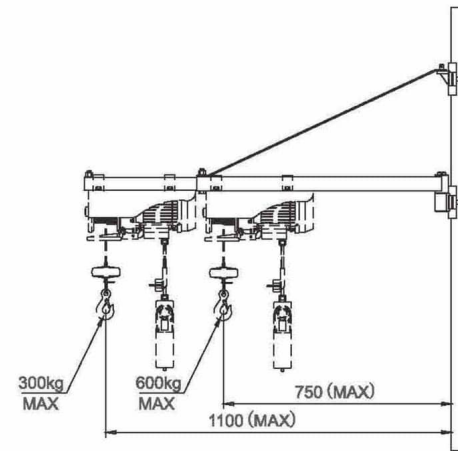


Method of use	Single hook	Double hook
Rated Volt(V)	220/230	
Input Power(W)	1600	
Rated lifting weight(Kg)	500	999
Lifting speed(m/min)	8	4
Lifting height(m)	18	9
Qty/CTN(PCS)	1	
Packing dimension(cm)	56 × 24 × 33	
G.W./N.W.(kg)	34/32	

Hoist Frame



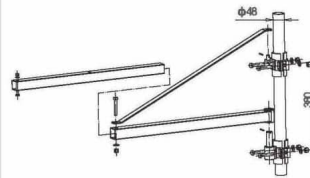
ROBIN MACHINERY & EQUIPMENT
SOURCE OF TRUST



HST-600-750B



Rated hanging weight(kg)	Rated lifting length(mm)
600	750
Quan/CTN (PCS)	Packing dimension(cm)
4	86x19x21
G.W./N.W.(kg)	
19/18	



HST-300-1100B



Rated hanging weight(kg)	Rated lifting length(mm)
300	1100
Quan/CTN (PCS)	Packing dimension(cm)
4	86x19x21
G.W./N.W.(kg)	
27.2/25.2	

